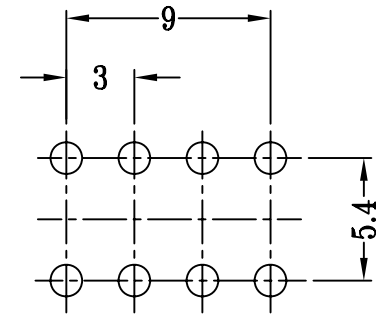
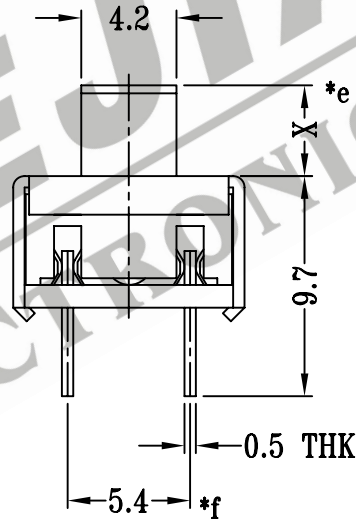
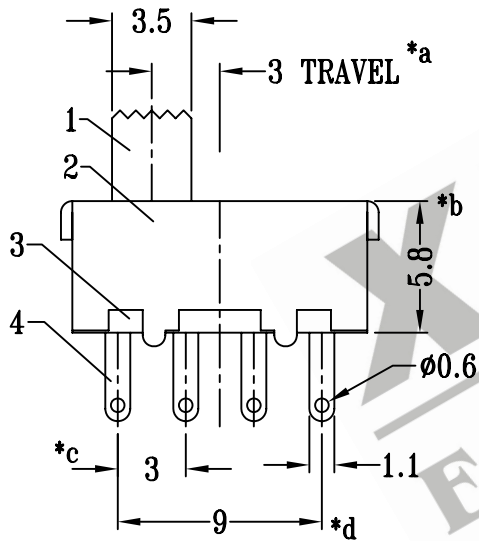
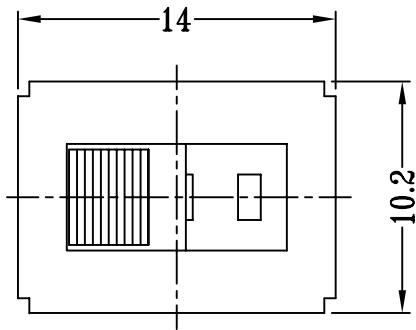
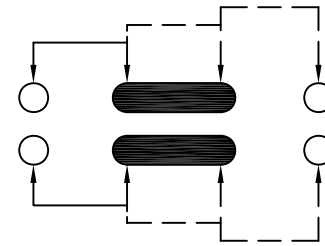


CAD FILE:



P.C.B LAYOUT



SCHEMATIC (NON-SHORTING)

注:带"*"表示关键尺寸(6个)

NO.	PARTS	MATERIALS	Q'TY	FINISH	TOLERANCE UNLESS SPECIFIED	SHENZHEN XIEJIA ELECTRONICS CO.,LTD					
8						ISSUE		DATE	DESCRIPTIONS OF REVISION	APPD.	
7	STEEL BALL	STEEL	1	NATURAL	WITHIN: 1.5±0.1mm	TITLE : VERTICAL SLIDE SWITCH		UNIT : mm	DRWG NO.: XJ-DR-SS23F03-00		
6	SPRING	STEEL WIRE	1	TEMPER	OVER : 1.5±0.2mm	MODEL: SS-23F03		SCALE: 3:1	DWN.	ZHOUYU	2001-9-13
5	CONTACT CLIP	PBS STRIP	2	Ag PLATED					CHK'D	FANGYING	2001-9-13
4	TERMINAL	BRASS STRIP	8	Ag PLATED OVER Ni PLATED		ALL MATERIALS MUST BE COMPLIANT TO ROHS			APPD.	KANGXINAN	2001-9-13
3	BASE	PHENIC RESIN	1	NATURAL							
2	FRAME	STEEL STRIP	1	Ni PLATED							
1	KNOB	POM	1	BLACK							